

GRILE SIMPLA DEFLEXIE PENTRU TUBULATURA CIRCULARA
SINGLE DEFLECTION GRILLE FOR CIRCULAR DUCTS

REFULARE / ASPIRATIE AER, MONTAJ PE TUBULATURA CIRCULARA
AIR SUPPLY / EXHAUST, CIRCULAR DUCT MOUNTING

CODE / COD:

GVS 1D

Grile simpla deflexie, montaj pe tubulatura circulara, cu jaluzele reglabile individual pentru dirijarea jetului de aer. Utilizare: refulare sau aspiratie aer.
Single deflection grille for direct mounting on circular ducts, with individually adjustable blades for air direction control. Suitable for air supply or exhaust.

Fixare: standard cu suruburi vizibile.

Fixing: standard with visible countersunk screw.

Finisaj: standard otel galvanizat; alb RAL9010 sau alte nuante RAL sunt optionale*.

Finish: standard finish is galvanized steel; white RAL9010 or another RAL color finish available as option*.

Dimensiuni: sunt disponibile numai dimensiuni standard.

Dimensions: only standard sizes available

Optional:

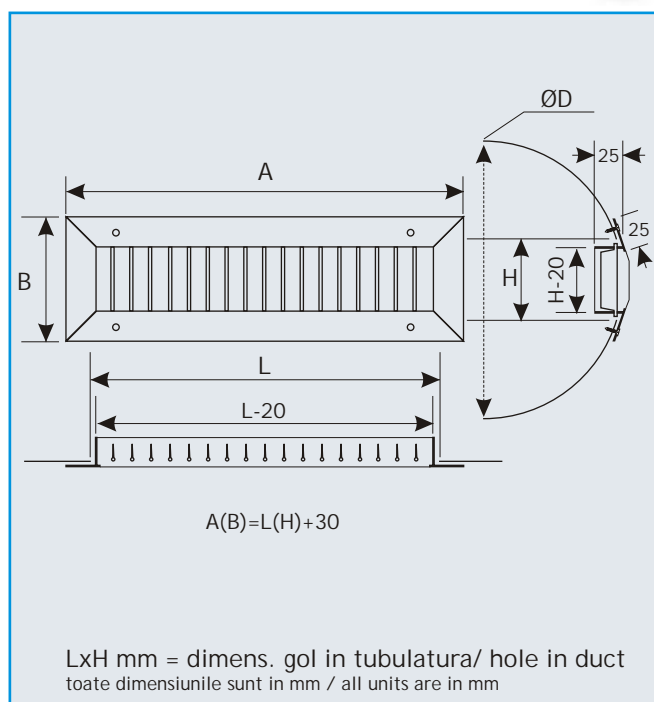
damper reglaj debit*

Options:

flow rate control damper*

* optiunile nu sunt incluse in pretul grilei; vezi subcapitolul optiuni

* options are not included in product price; see options subchapter



Dimensiuni disponibile grile GVS 1D
Standard sizes for GVS 1D grilles

LxH (mm)					ØD duct
425x75	525x75	625x75			150 - 400
425x125	525x125	625x125	825x125	1025x125	315 - 900
425x175	525x175	625x175	825x175	1025x175	400 - 1200
425x225	525x225	625x225	825x225	1025x225	630 - 1400

Cod de comanda: / Order code:

	GVS 1D	625	x	125	RAL9010	PBD
cod produs / product code						
lungime L / length L (gol montaj / opening size)						
inaltime H / height H (gol montaj / opening size)						
GALV (galvanizat/galvanized) - standard (sau daca nespecificat) / (or if not specified) RALxxxx - alte nuante RAL, optional / RAL colors available as an option						
nespecificat / unspecified - fara damper (registru reglaj) /without damper PBD - damper reglaj debit / air damper						

GRILE SIMPLA DEFLEXIE PENTRU TUBULATURA CIRCULARA
SINGLE DEFLECTION GRILLE FOR CIRCULAR DUCTS

Q (m ³ /h)	LxH (mm)	425x75	525x75	625x75	425x125	525x125	425x175	425x225	525x225	625x225	825x225	1025x225	
		A _{ef} (m ²)	0,013	0,016	0,019	0,025	0,031	0,037	0,049	0,061	0,073	0,097	0,122
100	V _{ef} (m/s)	1,68	1,36	1,20	0,88								
	L _i (m)	5,83	5,28	4,84	4,18								
	ΔP _t (Pa)	2,4	1,6	1,12	0,64								
140	V _{ef} (m/s)	2,40	1,92	1,6	1,28	1,04	0,88						
	L _i (m)	8,14	7,37	6,82	5,94	5,28	4,84						
	ΔP _t (Pa)	4,7	3,1	2,2	1,3	0,8	0,6						
200	V _{ef} (m/s)	3,44	2,80	2,32	1,76	1,44	1,20	0,88					
	L _i (m)	11,66	10,56	9,68	8,47	7,59	6,93	6,05					
	ΔP _t (Pa)	9,7	6,4	4,5	2,6	1,7	1,2	0,6					
250	V _{ef} (m/s)	4,24	3,44	2,96	2,24	1,76	1,52	1,12	0,88	0,80			
	L _i (m)	14,63	13,20	12,10	10,56	9,46	8,69	7,59	6,71	6,16			
	ΔP _t (Pa)	15	10	7	4	2,6	1,8	1	0,7	0,5			
300	V _{ef} (m/s)	5,12	4,16	3,52	2,64	2,16	1,84	1,36	1,12	0,88			
	L _i (m)	17,60	15,84	14,52	12,65	11,33	10,45	9,02	8,14	7,37			
	ΔP _t (Pa)	22	14	10	5,8	3,8	2,6	1,5	1	0,7			
400	V _{ef} (m/s)	6,80	5,52	4,64	3,52	2,88	2,40	1,84	1,44	1,20	0,88		
	L _i (m)	23,43	21,12	19,36	16,83	15,18	13,86	12,10	10,78	9,90	8,58		
	ΔP _t (Pa)	38	25	18	10	6,8	4,8	2,7	1,8	1,2	0,7		
500	V _{ef} (m/s)	8,56	6,96	5,84	4,48	3,60	3,04	2,24	1,84	1,52	1,12	0,88	
	L _i (m)	29,26	26,40	24,20	21,12	18,92	17,38	15,07	13,53	12,32	10,67	9,57	
	ΔP _t (Pa)	60	39	28	16	10	7	4	2,7	1,9	1,1	0,7	
600	V _{ef} (m/s)	10,24	8,32	7,04	5,36	4,32	3,60	2,72	2,16	1,84	1,36	1,12	
	L _i (m)	35,09	31,68	29,04	25,30	22,77	20,79	18,04	16,17	14,85	12,87	11,44	
	ΔP _t (Pa)	87	57	40	23	15	11	6	3,9	2,7	1,5	0,9	
800	V _{ef} (m/s)		11,12	9,36	7,12	5,76	4,80	3,60	2,88	2,40	1,84	1,44	
	L _i (m)		42,24	38,72	33,77	30,36	27,72	24,09	21,67	19,80	17,16	15,29	
	ΔP _t (Pa)		102	72	41	27	19	11	7	4,9	2,8	1,7	
1000	V _{ef} (m/s)			11,68	8,88	7,20	6,00	4,56	3,68	3,04	2,32	1,84	
	L _i (m)			48,40	42,24	37,95	35,75	30,14	27,06	24,75	21,45	19,14	
	ΔP _t (Pa)			112	65	42	30	17	11	8	4,3	2,7	
1200	V _{ef} (m/s)				10,64	8,64	7,20	5,44	4,40	3,68	2,72	2,16	
	L _i (m)				50,60	45,43	41,58	36,19	32,45	29,59	25,74	22,88	
	ΔP _t (Pa)				94	61	43	24	16	11	6,2	3,9	
1400	V _{ef} (m/s)					10,00	8,40	6,32	5,12	4,24	3,20	2,56	
	L _i (m)					53,02	48,62	42,24	37,84	34,54	30,03	26,73	
	ΔP _t (Pa)					83	58	33	21	15	8	5,4	
1600	V _{ef} (m/s)						11,44	9,60	7,28	5,84	4,88	3,68	2,88
	L _i (m)						60,61	55,55	48,29	43,23	39,49	34,32	30,58
	ΔP _t (Pa)						109	76	43	28	20	11	7

Q (m³/h) - debit / air volume

V_{ef} (m/s) - viteza aerului / air velocity

A_{ef} (m²) - aria efectiva / effective area

L_i (m) - lungime jet aer pt V_{0,25}/throw for V_{0,25}

ΔP_t(Pa) - pierdere presiune statica / static pressure loss

GRILE DUBLA DEFLEXIE PENTRU TUBULATURA CIRCULARA
DOUBLE DEFLECTION GRILLE FOR CIRCULAR DUCTS

REFULARE AER, MONTAJ PE TUBULATURA CIRCULARA
AIR SUPPLY, CIRCULAR DUCT MOUNTING

CODE / COD:

GVS 2D

Grile dubla deflexie, montaj pe tubulatura circulara, cu jaluzele reglabile individual pentru dirijarea jetului de aer.
Utilizare: refulare sau aspiratie aer.
Double deflection grille for direct mounting on circular ducts, with individually adjustable blades for air direction control.
Suitable for air supply or exhaust.

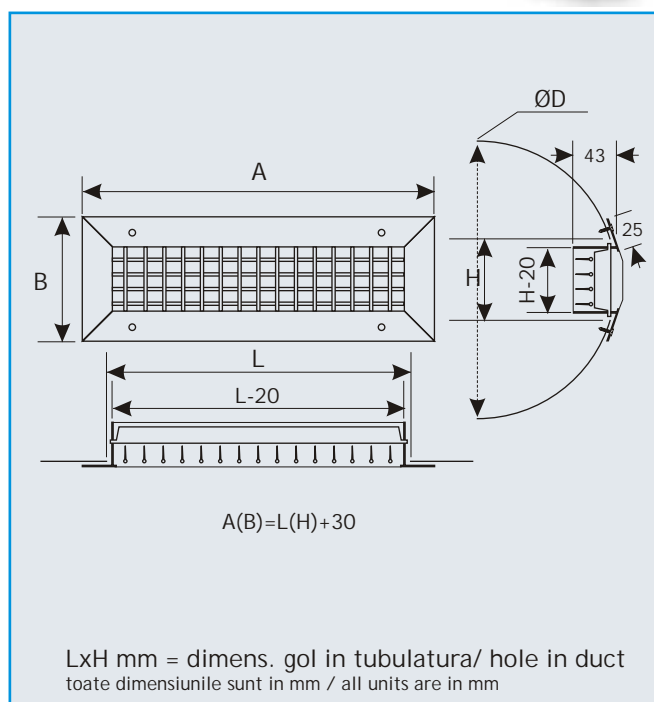
Fixare: standard cu suruburi vizibile.
Fixing: standard with visible countersunk screw.

Finisaj: standard otel galvanizat; alb RAL9010 sau alte nuante RAL sunt optionale*.
Finish: standard finish is galvanized steel; white RAL9010 or another RAL color finish available as option*.

Dimensiuni: sunt disponibile numai dimensiuni standard.
Dimensions: only standard sizes available

Optional:
damper reglaj debit*
Options:
flow rate control damper*

* optiunile nu sunt incluse in pretul grilei; vezi subcapitolul optiuni
* options are not included in product price; see options subchapter



Dimensiuni disponibile grile GVS 2D
Standard sizes for GVS 2D grilles

LxH (mm)					ØD duct
425x75	525x75	625x75			150 - 400
425x125	525x125	625x125	825x125	1025x125	315 - 900
425x175	525x175	625x175	825x175	1025x175	400 - 1200
425x225	525x225	625x225	825x225	1025x225	630 - 1400

Cod de comanda: / Order code:

GVS 2D				625	x	125	GALV	PBD
cod produs / product code								
lungime L / length L (gol montaj / opening size)								
inaltime H / height H (gol montaj / opening size)								
GALV (galvanizat/galvanized) - standard (sau daca nespecificat) / (or if not specified)								
RALxxxx - alte nuante RAL, optional / RAL colors available as an option								
nespecificat / unspecified - fara damper (registru reglaj) / without damper								
PBD - damper reglaj debit / air damper								

www.grileventilatie.ro www.tubulaturaventilatie.ro www.ventilatorindustrial.ro

Temko Distributie srl. Ventilatie.Solutii complete pentru profesionisti.

GRILE DUBLA DEFLEXIE PENTRU TUBULATURA CIRCULARA
DOUBLE DEFLECTION GRILLE FOR CIRCULAR DUCTS

Q (m ³ /h)	LxH (mm)	425x75	525x75	625x75	425x125	525x125	425x175	425x225	525x225	625x225	825x225	1025x225
		A _{ef} (m ²)	0,013	0,016	0,019	0,025	0,031	0,037	0,049	0,061	0,073	0,097
100	V _{ef} (m/s)	2,10	1,70	1,50	1,10							
	L _i (m)	5,30	4,80	4,40	3,80							
	ΔP _t (Pa)	3	2	1,4	0,8							
140	V _{ef} (m/s)	3,00	2,40	2,00	1,60	1,30	1,10					
	L _i (m)	7,40	6,70	6,20	5,40	4,80	4,40					
	ΔP _t (Pa)	5,9	3,9	2,8	1,6	1	0,7					
200	V _{ef} (m/s)	4,30	3,50	2,90	2,20	1,80	1,50	1,10				
	L _i (m)	10,60	9,60	8,80	7,70	6,90	6,30	5,50				
	ΔP _t (Pa)	12	8	5	3,3	2,1	1,5	0,8				
250	V _{ef} (m/s)	5,30	4,30	3,70	2,80	2,20	1,90	1,40	1,10	1,00		
	L _i (m)	18,30	12,00	11,00	9,60	8,60	7,90	6,90	6,10	5,60		
	ΔP _t (Pa)	19	12	9	5	3,3	2,3	1,3	0,9	0,6		
300	V _{ef} (m/s)	6,40	5,20	4,40	3,30	2,70	2,30	1,70	1,4	1,10		
	L _i (m)	16,00	14,40	13,20	11,50	10,30	9,50	8,20	7,40	6,70		
	ΔP _t (Pa)	27	18	12	7	4,8	3,3	1,9	1,2	0,9		
400	V _{ef} (m/s)	8,50	6,90	5,80	4,40	3,60	3,00	2,30	1,80	1,50	1,10	
	L _i (m)	21,30	19,20	17,60	15,30	13,80	12,60	11,00	9,80	9,00	7,80	
	ΔP _t (Pa)	48	32	22	13	9	6	3,4	2,2	1,5	0,9	
500	V _{ef} (m/s)	10,70	8,70	7,30	5,60	4,50	3,80	2,80	2,30	1,90	1,40	1,10
	L _i (m)	26,60	24,00	22,00	19,20	17,20	15,80	13,70	12,30	11,20	9,70	8,70
	ΔP _t (Pa)	75	50	35	20	13	9	5	3,4	2,4	1,4	0,9
600	V _{ef} (m/s)	12,80	10,40	8,80	6,70	5,40	4,50	3,40	2,70	2,30	1,70	1,40
	L _i (m)	31,90	28,80	26,40	23,00	20,70	18,90	16,40	14,70	13,50	11,70	10,40
	ΔP _t (Pa)	108	71	51	28	19	13	7	4,9	3,4	1,9	1,2
800	V _{ef} (m/s)		13,90	11,70	8,90	7,20	6,00	4,50	3,60	3,00	2,30	1,80
	L _i (m)		38,40	35,20	30,70	27,60	25,20	21,90	19,70	18,00	15,60	13,90
	ΔP _t (Pa)		127	90	52	34	24	14	9	6	3,5	2,2
1000	V _{ef} (m/s)			14,60	11,10	9,00	7,50	5,70	4,60	3,80	2,90	2,30
	L _i (m)			44,00	38,40	34,50	32,50	27,40	24,60	22,50	19,50	17,40
	ΔP _t (Pa)			141	81	53	37	21	14	10	5,4	3,4
1200	V _{ef} (m/s)				13,30	10,80	9,00	6,80	5,50	4,60	3,40	2,70
	L _i (m)				46,00	41,30	37,80	32,90	29,50	26,90	23,40	20,80
	ΔP _t (Pa)				117	76	54	30	19	14	8	4,9
1400	V _{ef} (m/s)				12,50	10,50	7,90	6,40	5,30	4,00	3,20	
	L _i (m)				48,20	44,20	38,40	34,40	31,40	27,30	24,30	
	ΔP _t (Pa)				104	73	42	27	19	10	7	
1600	V _{ef} (m/s)				14,30	12,00	9,10	7,30	6,10	4,60	3,60	
	L _i (m)				55,10	50,50	43,90	39,30	35,90	31,20	27,80	
	ΔP _t (Pa)				136	95	54	35	24	14	9	

Q (m³/h) - debit / air volume

V_{ef} (m/s) - viteza aerului / air velocity

A_{ef} (m²) - aria efectiva / effective area

L_i (m) - lungime jet aer pt V_{0,25}/throw for V_{0,25}

ΔP_t(Pa) - pierdere presiune statica / static pressure loss